

MATERIAL LIST FOR 24'x32' POLE BUILDING*

ALL QUANTITIES ARE HIDDEN

1/4" METAL FOOTERS
 1/2" SACRETE (2 PER HOLE) - OPTIONAL
 OR UPLIFT CLEATS
 *FORM ALL FOOTING SIZES WITH LOCAL ENGINEER OR CODE OFFICIAL
 V LOADS OR SOFTER GROUND, BIGGER FOOTINGS MIGHT NEED TO BE USED

MATERIALS

1/2" DS
 1/2" LASH BOARDS

1/2" POST (SIDE ENTRY DOOR)
 1/2" POSTS (MAIN SUPPORTING ON EAVES)
 1/2" POSTS (FRONT GABLE FOR O.H. DOORS)
 1/2" POSTS (REAR GABLE)
 1/2" POSTS (FRONT GABLE FOR O.H. DOORS)

1/2" P (O.H. DOOR HEADERS, INSIDE)
 1/2" P (O.H. DOOR HEADERS, OUTSIDE, UNDER TRUSS)
 1/2" P (O.H. DOOR HEADERS, OUTSIDE, UNDER TRUSS)
 1/2" P (MAIN TRUSS SUPPORTING HEADERS, EAVES)
 1/2" P (BACK SUPPORT BOARD, UNDER TRUSS) - OPTIONAL
 1/2" P (BACK SUPPORT BOARD, UNDER TRUSS) - OPTIONAL

FACE BOARDS, BLOCKS, ETC.

1/2" F (FOR 9'x8' O.H. DOOR HEADERS)
 1/2" F (FACE BOARDS, ON GABLES)
 1/2" F (FACE BOARDS, Y-BRACES, BLOCKS, ETC.)
 1/2" F (FACE BOARDS ON EAVES)

1/2" F (ROOF PURLINS) 2x4x10'
 1/2" F (ROOF PURLINS) 2x4x10'
 1/2" F (ROOF PURLINS) 2x4x10'
 1/2" F (ROOF PURLINS) 2x4x10'
 1/2" F (ROOF PURLINS) 2x4x10'

1/2" F (LATERAL TRUSS BRACING) *ALL ROOF PURLINS MUST BE STAGGERED
 1/2" F (WALL PURLINS)
 1/2" F (EXTRA)

PITCH ENGINEERED TRUSSES (SPACED @ 48" O.C.)
 PITCH GABLE TRUSSES
 HAVE 10 1/2" OVERHANGS AND TO COMPLY WITH LOCAL CODES

FINISHING, SIDING & ACCESSORIES

1/2" 9' LONG "ABM" PAINTED METAL (ROOF)
 LONG "ABM" PAINTED METAL (SIDING) - NOT EXACT SIZE
 LONG "ABM" PAINTED METAL (GABLES) - NOT EXACT SIZE
 1/2" LONG "ABM" PAINTED METAL (ABOVE O.H. DOORS) - NOT EXACT SIZE

METALS MIGHT HAVE DIFFERENT NAMES & LENGTHS OF TRIMS
 rtin.net/wp-content/uploads/2018/03/ABM-Panel-Color-and-Trim-Chart_rev.pdf
 ALL LENGTHS OF METAL WITH YOUR BUILDER.
 *R SHALL BE RESPONSIBLE FOR FIGURING OUT EXACT SIZES OF METAL TO ORDER.

1/2" AL RIDGE CAP
 1/2" PRON
 ASHING TRIM
 CORNER TRIM
 1/2" ANGLE
 1/2" 3/16"
 1/2" INEL (SIDING / SOFFIT CONNECTION)
 1/2" SCIA TRIM (6" WIDE)
 1/2" D DOOR TRIM (ODcc)
 1/2" IM 7-1/4" (JTcc725)
 1/2" EL

1/2" ED SCREWS (FOR ROOF METAL)
 1/2" D SCREWS (FOR SIDING METAL)
 1/2" D SCREWS (FOR RIDGE CAP, ETC.)

1/2" VENTED CLOSURE STRIPS (RIDGE CAP)
 1/2" SOLID CLOSURE STRIPS (EAVES)

MATERIALS

125' DOUBLE BUBBLE REFLECTIVE INSULATION (OPTIONAL)

1/2" BERGLASS LEFT-HINGED IN-SWING ENTRY DOOR
 1/2" GLATED GARAGE DOORS WITH GLASS

CANE TIES BY SIMPSON STRONG-TIE

1/2" AL VENTED SOFFIT (FOR EAVE OVERHANGS)
 1/2" AL SOLID SOFFIT (FOR GABLE OVERHANGS)

1/2" SH NAILS, FRAMING NAILS, ETC.)



NOTES:

WE CAN NOT GUARANTEE 100% ACCURACY OF THIS MATERIALS LIST. PLEASE CONFIRM WITH YOUR BUILDER OR LUMBER YARD BEFORE ORDERING ANY MATERIALS.

THIS LIST OF MATERIALS IS PROVIDED AS A COURTESY ONLY ALL MATERIALS MUST BE VERIFIED BEFORE PLACING ORDER

DEPENDING ON YOUR LOCATION & MATERIALS AVAILABILITY SOME MATERIALS MIGHT HAVE TO BE CHANGED OR SUBSTITUTED. PLEASE CONFIRM WITH YOUR CONTRACTOR.

FILE INFO.

BUILDERS' INFORMATION

NOTES ON COPYRIGHT
 THESE PLANS ARE THE PROPERTY OF KEystone BARN SUPPLY, LLC.
 YOU MAY NOT REPRODUCE, RESELL OR USE THESE DRAWINGS
 FOR ANY OTHER PROJECT WITHOUT THE WRITTEN PERMISSION OF
 KEystone BARN SUPPLY, LLC.

24' x 32' x 9' POLE BUILDING FOR

SEAL

PROJECT NO.

DRAWN BY

FILE INFO.

REVISIONS

DATE

DRAWING TITLE

BARN IMAGE DISCLAIMER

24'x32'x9' POLE BUILDING

WITH

**METAL SIDING, METAL ROOF, (2) 9'x8' GARAGE DOORS
 (1) 2868 ENTRY DOOR, 12" EAVE & GABLE OVERHANGS**

BEFORE USING THIS PLAN:

1. YOU MUST FIRST CONFIRM THIS PLAN FOR CODE COMPLIANCE WITH AN ENGINEER OR YOUR LOCAL CODE OFFICIAL.
2. THIS PLAN IS NOT DESIGNED FOR HIGH WIND ZONES AND WILL NEED TO BE MODIFIED BY AN ENGINEER OR AN ARCHITECT TO COMPLY WITH HIGH WIND ZONE CODES.
3. IF THIS PLAN IS USED AS-IS WITHOUT FIRST CONFIRMING WITH AN ENGINEER, END USER SHALL BE FULLY RESPONSIBLE FOR ANY OR ALL CONSEQUENCES THAT MIGHT ARISE OUT OF USE OF THIS PLAN.

NOTES:

By using these plans you agree not to hold Keystone Barn Supply, LLC, it's owners and/or plan designers responsible for any mistakes or incorrect design. You also agree that Keystone Barn Supply LLC, its owners or plan designers will not be, under any circumstances liable to the consumer or end user for any incidental, consequential, special, exemplary, or punitive damages arising out of the use of these plans. You MUST ALWAYS consult with your local engineer and your contractor before using any of our plans or doing any construction work.

GENERAL NOTES

1. PROVIDE EROSION PROTECTION AS REQ'D BY ALL GOVERNING AUTHORITIES.
2. PROVIDE P.T. WD. WHERE IN CONTACT W/ EPDM ROOFING, FLASHING WATERPROOFING, MASONRY, CONCRETE OR EARTH.
3. ALL WOOD FASTENERS, HANGERS, ETC. IN CONTACT W/ P.T. WD. TO RECEIVE MIN. 600 GALV. OR GREATER AS REQ'D BY FASTENER MFR. FOR TYPE OF P.T. CHEMICAL USED AND/OR ENVIRONMENT.
4. CONFORM TO ELECTRIC REQ'TS. OF NEC 2002 INCL. GFC RECEPTS. & GROUNDING OF CONC. SLABS ANIMAL USE AREAS.
5. LIGHTNING PROTECTION WILL BE INSTALLED COMPLYING W/ NFPA 780
6. FRAMING POSTS
P.T. 4x6 MAIN POSTS
P.T. 4x6 DOOR POST
7. CONC. FOOTERS ARE SIZED ASSUMING A MIN. SOIL BEARING CAPACITY OF 3000 PSF
8. CONCRETE SLAB TO BE MIN. 4" THICK WITH WIRE-MESH
9. TOTAL AREA UNDER ROOF (INCLUDES OVERHANGS) - 884 SQ.F.

DO NOT SCALE DIMENSIONS OFF DRAWINGS. USE WRITTEN OR CALCULATED DIMENSIONS.

ALL CONTRACTORS ARE RESPONSIBLE FOR CHECKING DIMENSIONS BEFORE ESTIMATING, ORDERING OR STARTING WORK.

ALL WORK SHALL CONFORM TO CODES AND REQUIREMENTS OF LOCAL, COUNTY, STATE, NATIONAL BUILDING SAFETY CODES AND OTHER AGENCIES AND AUTHORITIES HAVING JURISDICTION OVER THE PROJECT.

CODE INFO. ON STRUCTURE:

CONSTRUCTION TO CONFORM WITH DESIGN DOCUMENTS & ALL CODE REQ'TS.

1. FOUNDATIONS DESIGNED FOR ASSUMED ALLOWABLE NETSOIL BEARING PRESSURE OF 3000 PSF

2. DESIGN LIVE LOADINGS AS FOLLOWS:
- SNOW: 45 PSF PLUS DRIFT
- WIND: 110 MPH (EXPOSURE C)
- SEISMIC USE GROUP: 1
- SITE CLASS: D
- SEISMIC FORCE RESIST. WD. FRAME WEATHERING: SEVERE

3. DEAD LOADS AS FOLLOWS:
- TOP CHORD OF TRUSS w/ METAL & D.B. INSULATION - 10PSF
- BOTTOM CHORD OF TRUSS - 10 PSF

4. PLACE FILL & BACKFILL IN MAX. 8" LIFTS. COMPACT EACH LAYER UNDER FOOTINGS & SLABS TO A DRY DENSITY OF MIN. 95%. DO NOT BUILD ON SOILS LESS THAN INDICATED DESIGN STRENGTH.

5. CONCRETE TO HAVE 28-DAY MIN. COMPRESSIVE STRENGTH AS FOLLOWS:
- 4000 PSI AT EXT. SLABS
- 3000 PSI ALL OTHER LOCATIONS
PROVIDE COVERING OF REINF. PER IBC TABLE 1907.7.1
PROVIDE CORNER BARS TO MATCH CONTIN. REINF.
LAP ALL REINF. MIN 24" W.W.F. TO LAP MIN. 8".

6. ALL STRUCTURAL WOOD TO BE GRADED LUMBER - MIN. S.P.F. OR #2 HEM-FIR UNLESS NOTED OTHERWISE.

7. CONTRACTOR IS RESPONSIBLE OF MEANS OF CONSTRUCTION, INCL. PROVIDING GUYS, BRACING & SHORING AS REQUIRED FOR ALL LOADING CONDITIONS THROUGHOUT CONSTRUCTION. CONTRACTOR IS NOT TO STORE MATERIALS IN EXCESS OF DESIGN LIVE LOADS WITHOUT APPROVAL OF ARCHITECTOR.

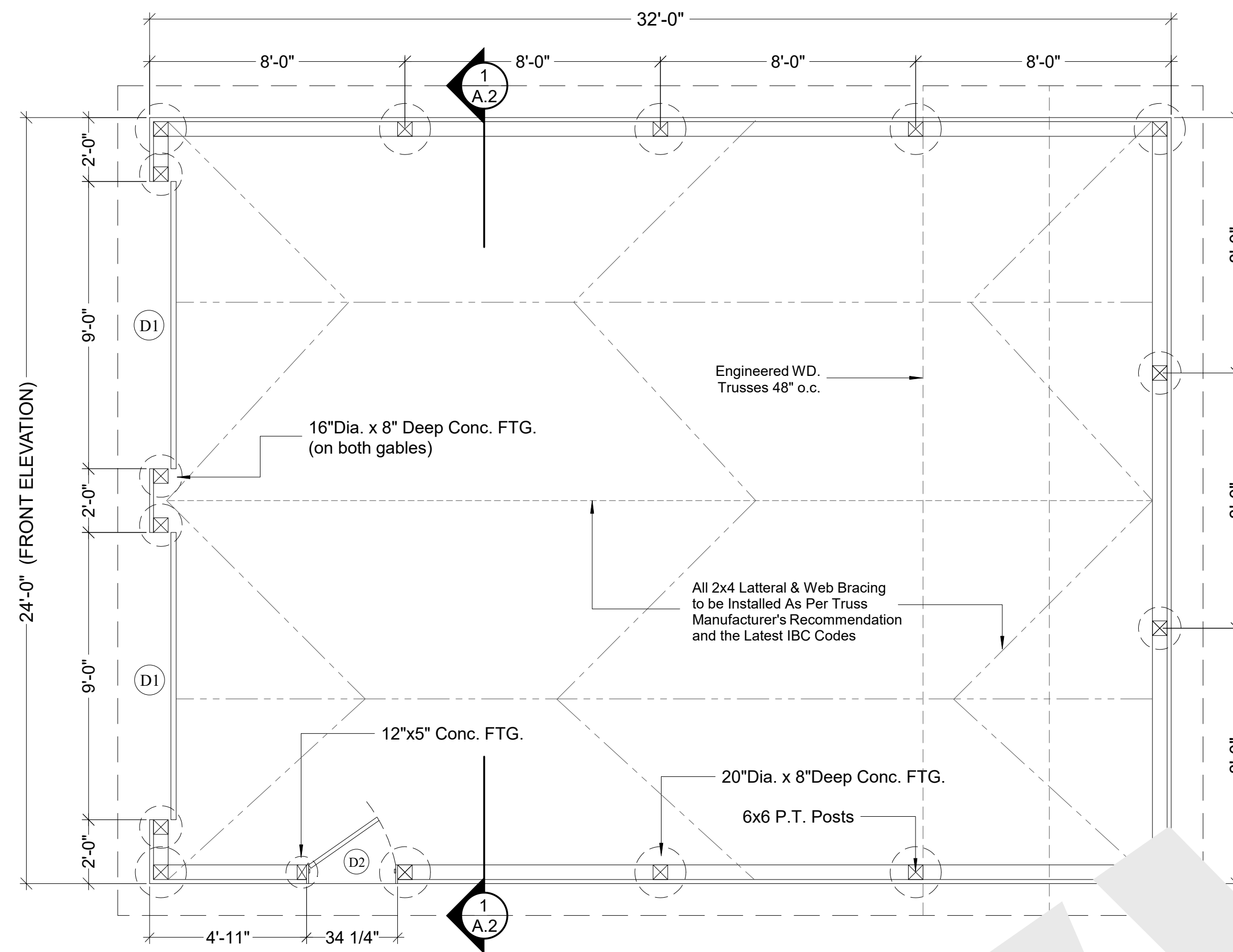
8. CONCRETE FLOOR SLAB-ON-GRADE TO INCLUDE CONTROL JOINTS A MAXIMUM OF 12' O.C. AND 1/4" OF THE SLAB THICKNESS. ALL TOPSOIL, ORGANICS AND CLAY TO BE REMOVED FROM FLOOR SLABS PRIOR TO CONCRETE OR FILL PLACEMENT. FILLS TO BE NON-EXPANSIVE GRANULAR SOIL. PLACED IN 6-8 INCH LIFTS AND COMPACTED TO 95% OF THE MAXIMUM PROCTOR DENSITY AND WITHIN 2% OF OPTIMUM MOISTURE CONTENT.

SYMBOL LEGEND

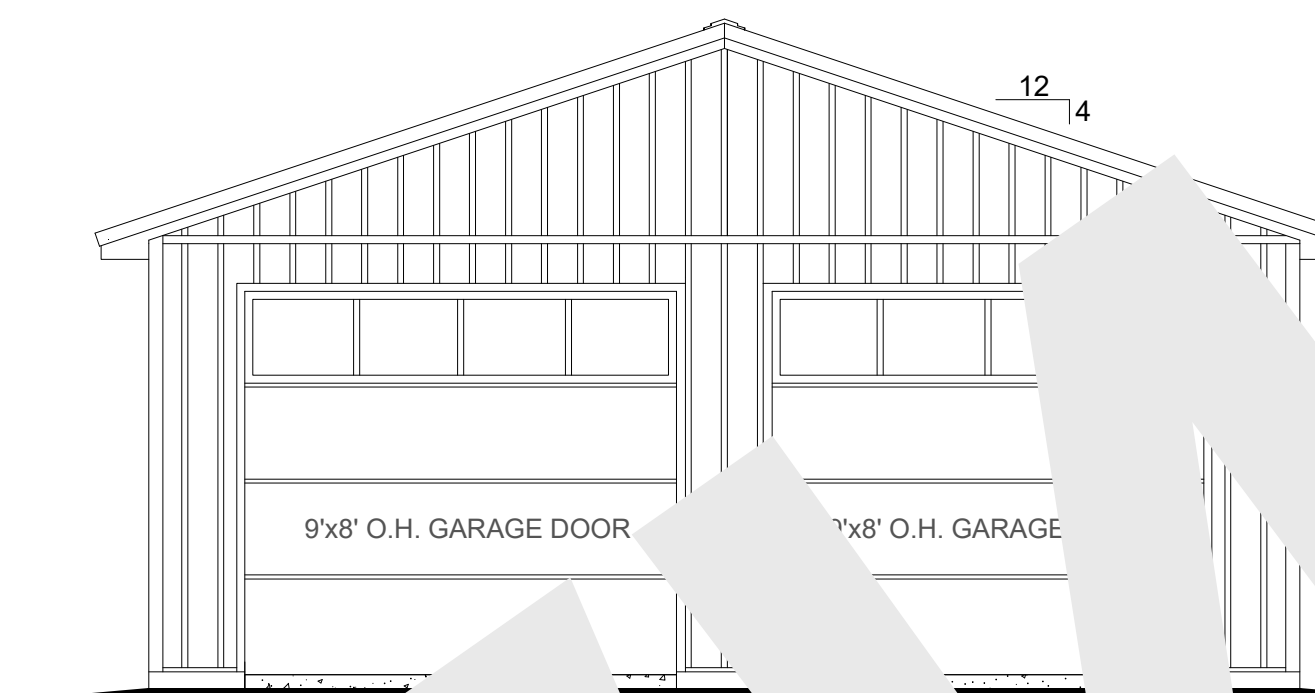
- D1 - 9'W x 8'H OVERHEAD GARAGE DOOR w/ GLASS
- D2 - 2868 (32'x80') 9-LITE FIBERGLASS IN-SWING DOOR
- W1 - OPTIONAL (NONE SHOWN ON PRINT)
- 1 - DETAIL NUMBER
A.1 - SHEET DETAIL IS LOCATED
- 1 - SECTION NUMBER
A.1 - SHEET SECTION IS LOCATED

BEFORE USING THIS PLAN:

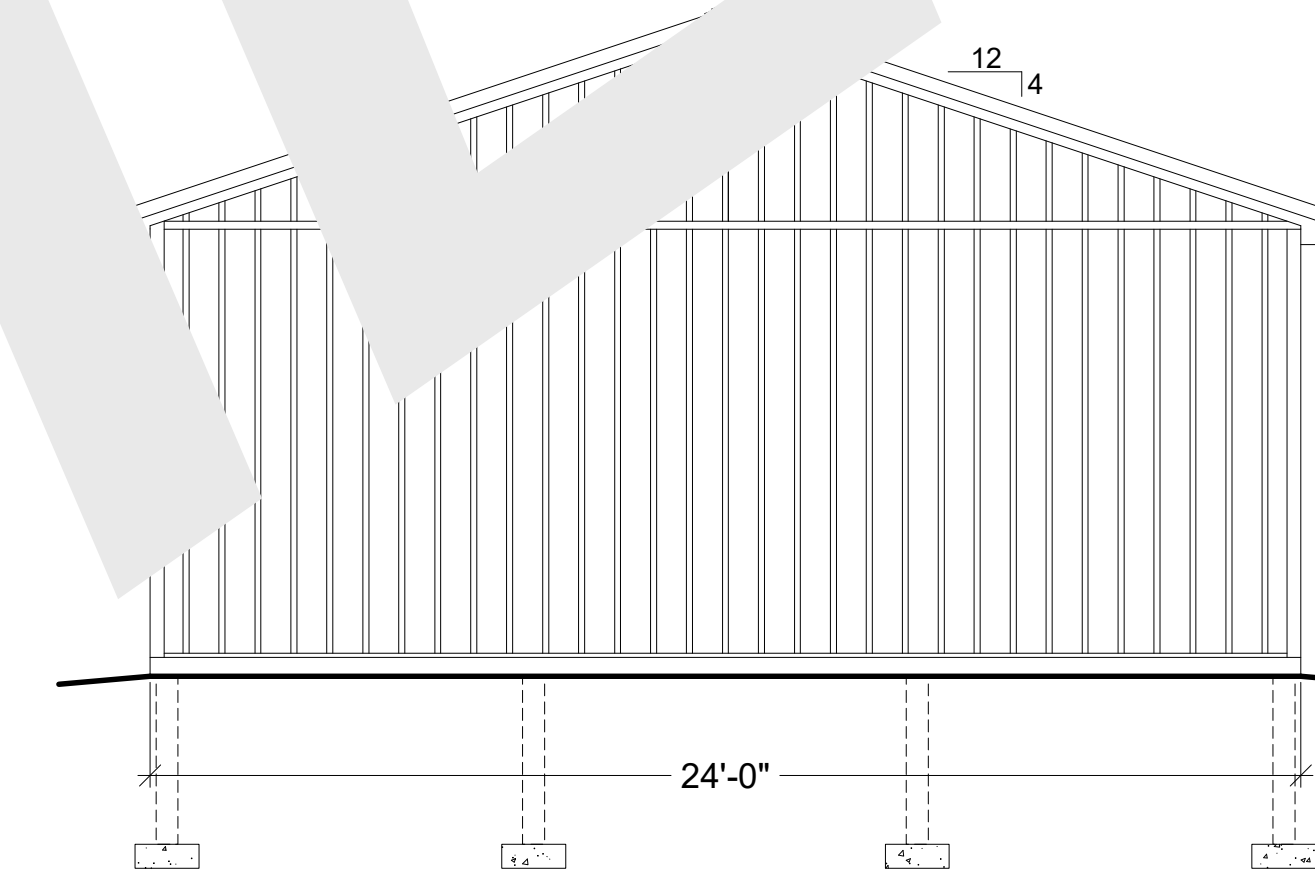
1. YOU MUST FIRST CONFIRM THIS PLAN FOR CODE COMPLIANCE WITH AN ENGINEER OR YOUR LOCAL CODE OFFICIAL.
2. THIS PLAN IS NOT DESIGNED FOR HIGH WIND ZONES AND WILL NEED TO BE MODIFIED BY AN ENGINEER OR AN ARCHITECT TO COMPLY WITH HIGH WIND ZONE CODES.
3. IF THIS PLAN IS USED AS-IS WITHOUT FIRST CONFIRMING WITH AN ENGINEER, END USER SHALL BE FULLY RESPONSIBLE FOR ANY OR ALL CONSEQUENCES THAT MIGHT ARISE OUT OF USE OF THIS PLAN.



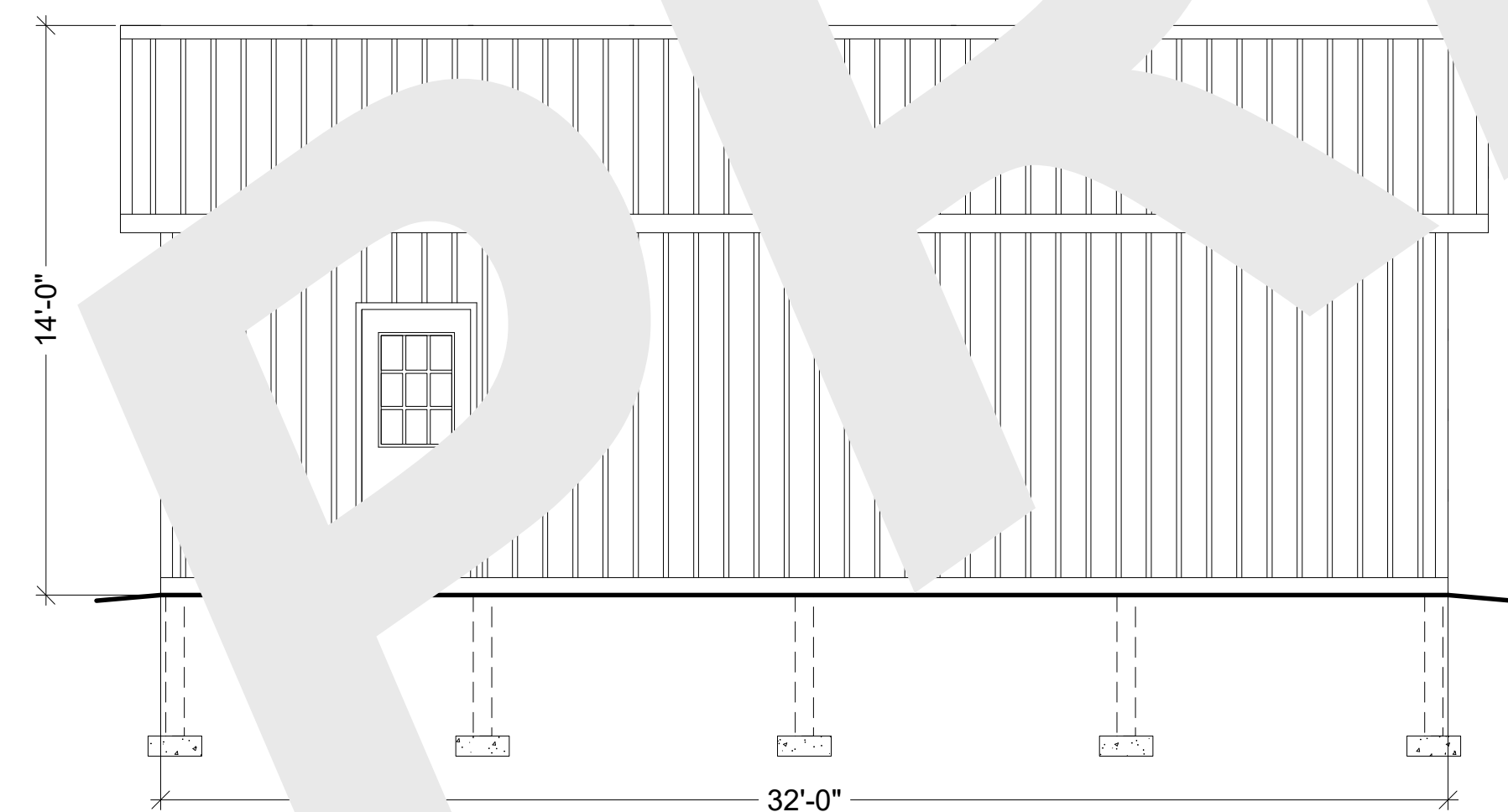
1 FLOOR PLAN
SCALE: 5/16" = 1'-0"



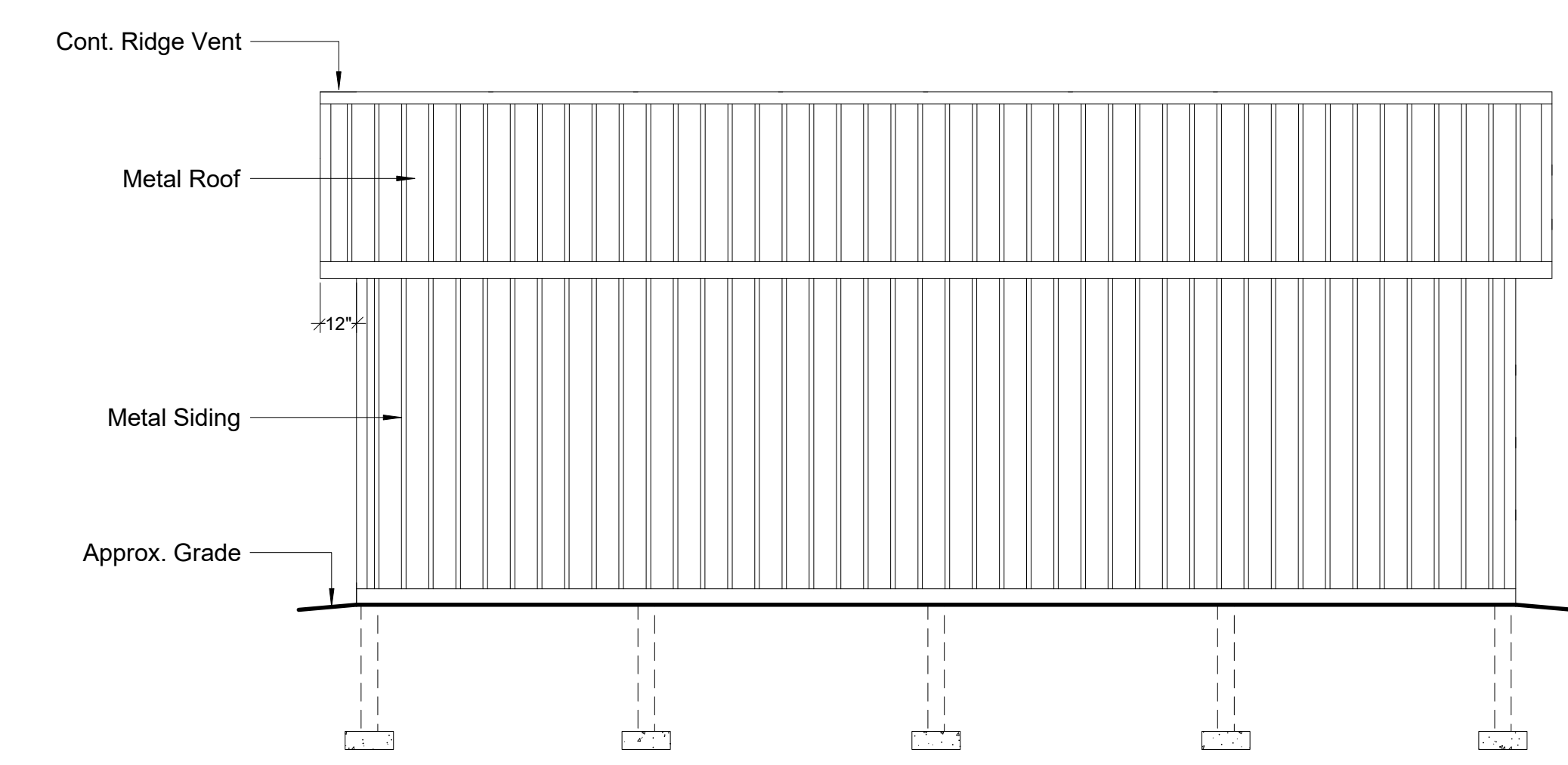
2 FRONT ELEVATION
SCALE: 1/4" = 1'-0"



3 REAR ELEVATION
SCALE: 1/4" = 1'-0"



4 RIGHT ELEVATION
SCALE: 1/4" = 1'-0"



5 LEFT ELEVATION
SCALE: 1/4" = 1'-0"

FILE INFO.

BUILDERS' INFORMATION

NOTES ON COPYRIGHT
THIS DRAWING IS COPYRIGHTED AND MAY NOT BE REPRODUCED OR TRANSMITTED IN ANY FORM OR BY ANY MEANS, ELECTRONIC OR MECHANICAL, INCLUDING PHOTOCOPYING, RECORDING, OR BY ANY INFORMATION STORAGE AND RETRIEVAL SYSTEM, WITHOUT THE WRITTEN PERMISSION OF THE ARCHITECT.

24' x 32' x 9' POLE BUILDING FOR

SEAL

PROJECT NO.

DRAWN BY

FILE INFO.

REVISIONS

DATE

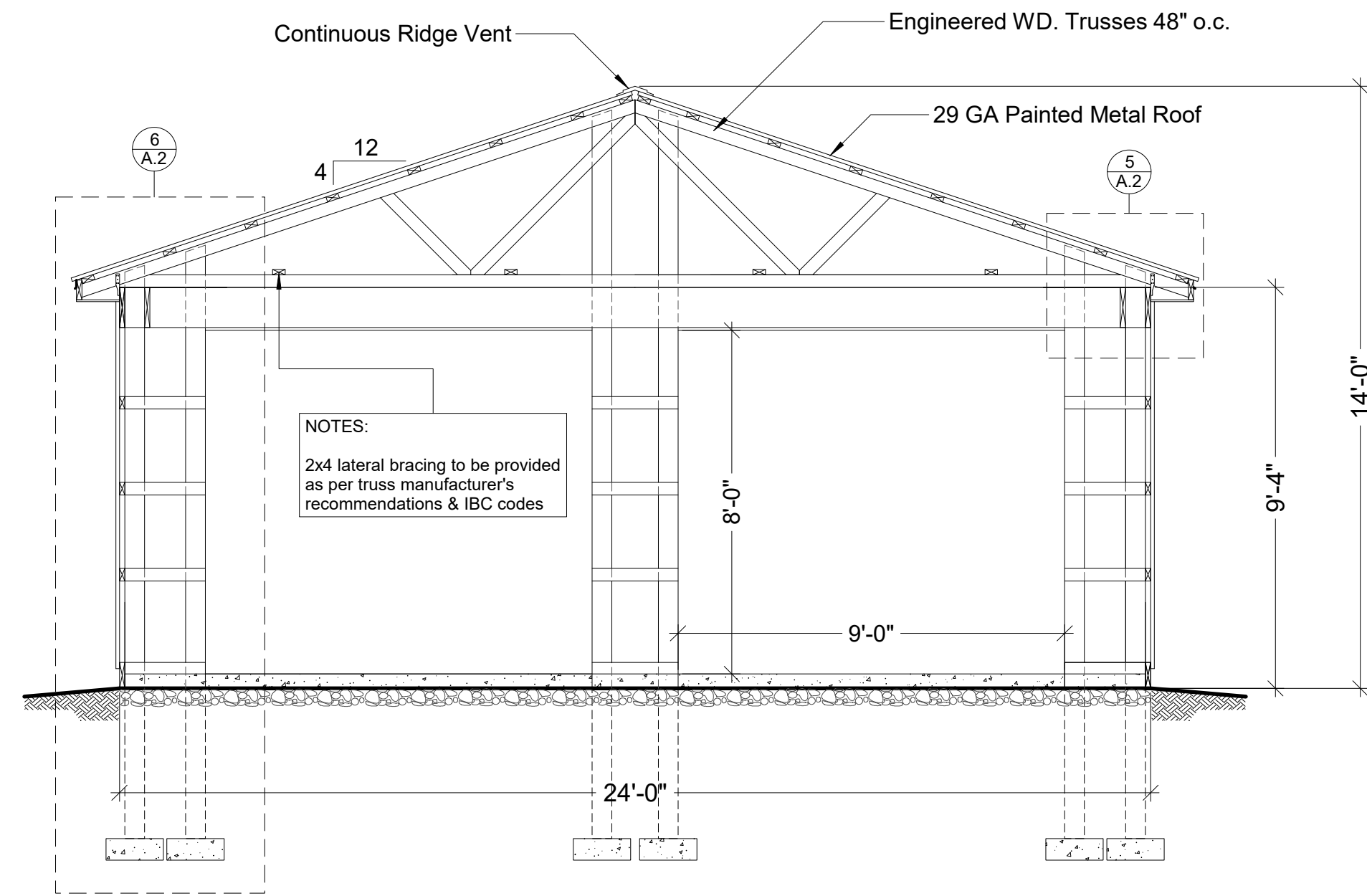
DRAWING TITLE

FLOOR PLAN
EXTERIOR ELEVATIONS

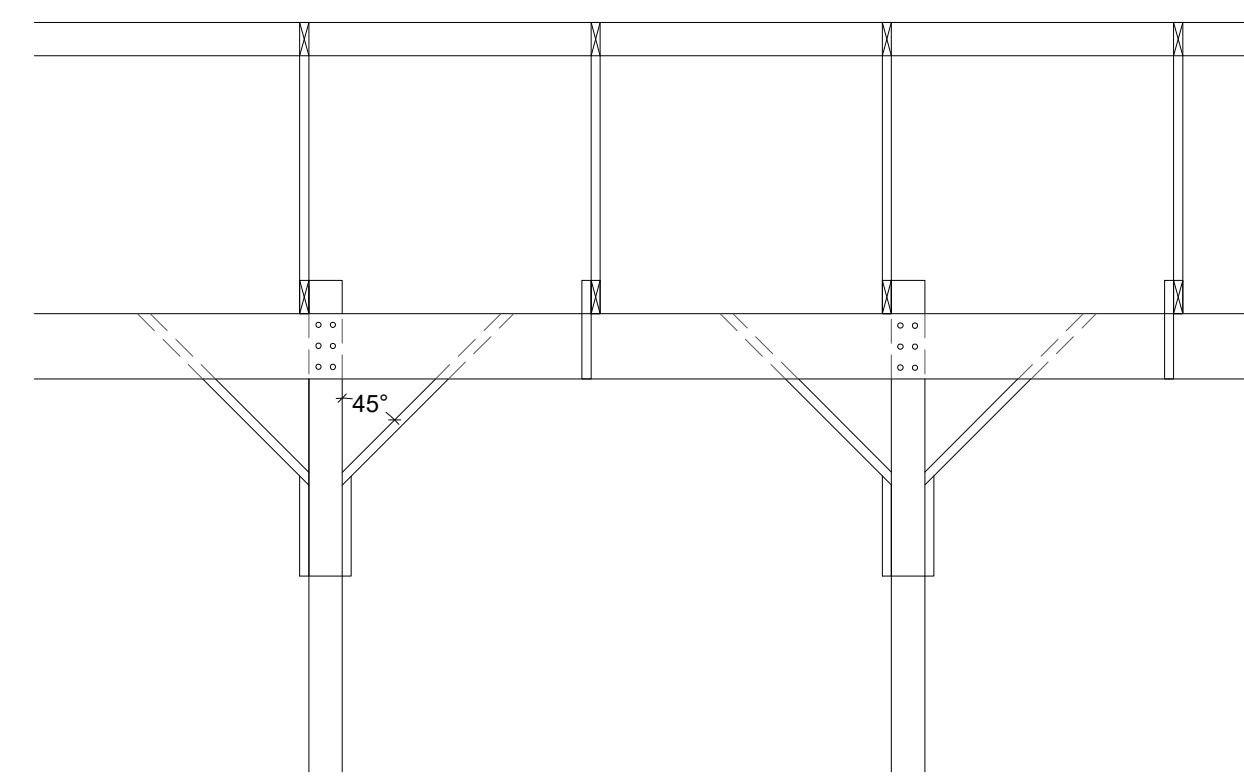
SHEET NO.

A.1

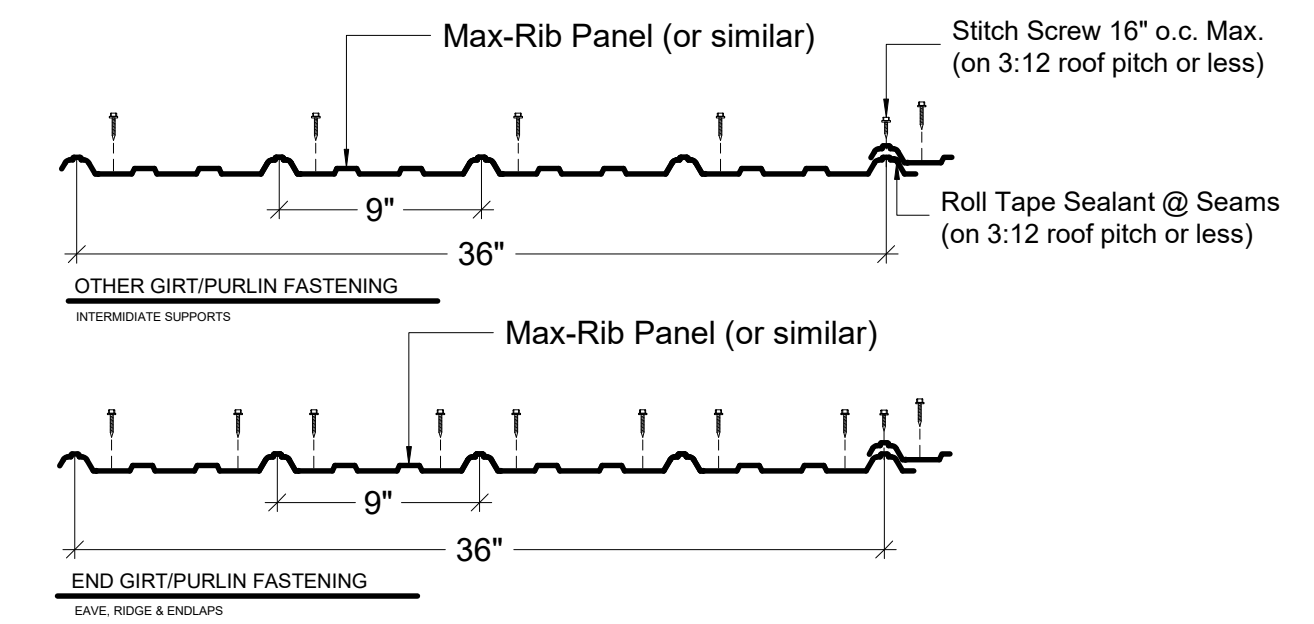
NOT FOR CONSTRUCTION



1 BUILDING SECTION
A.2 SCALE: 5/16" = 1'-0"

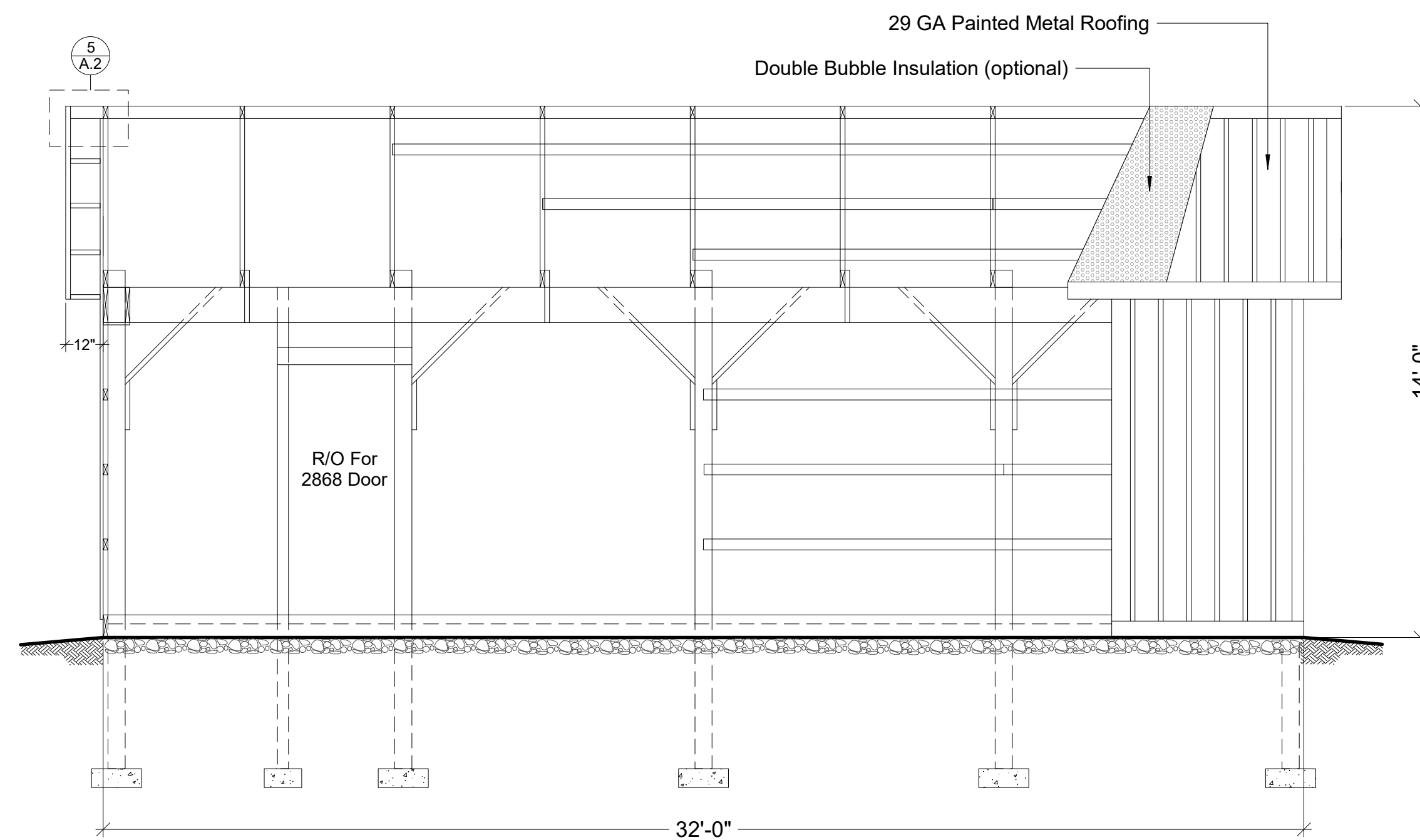


2 TYP. 'Y' BRACE DTL.
A.2 SCALE: 3/8" = 1'-0"

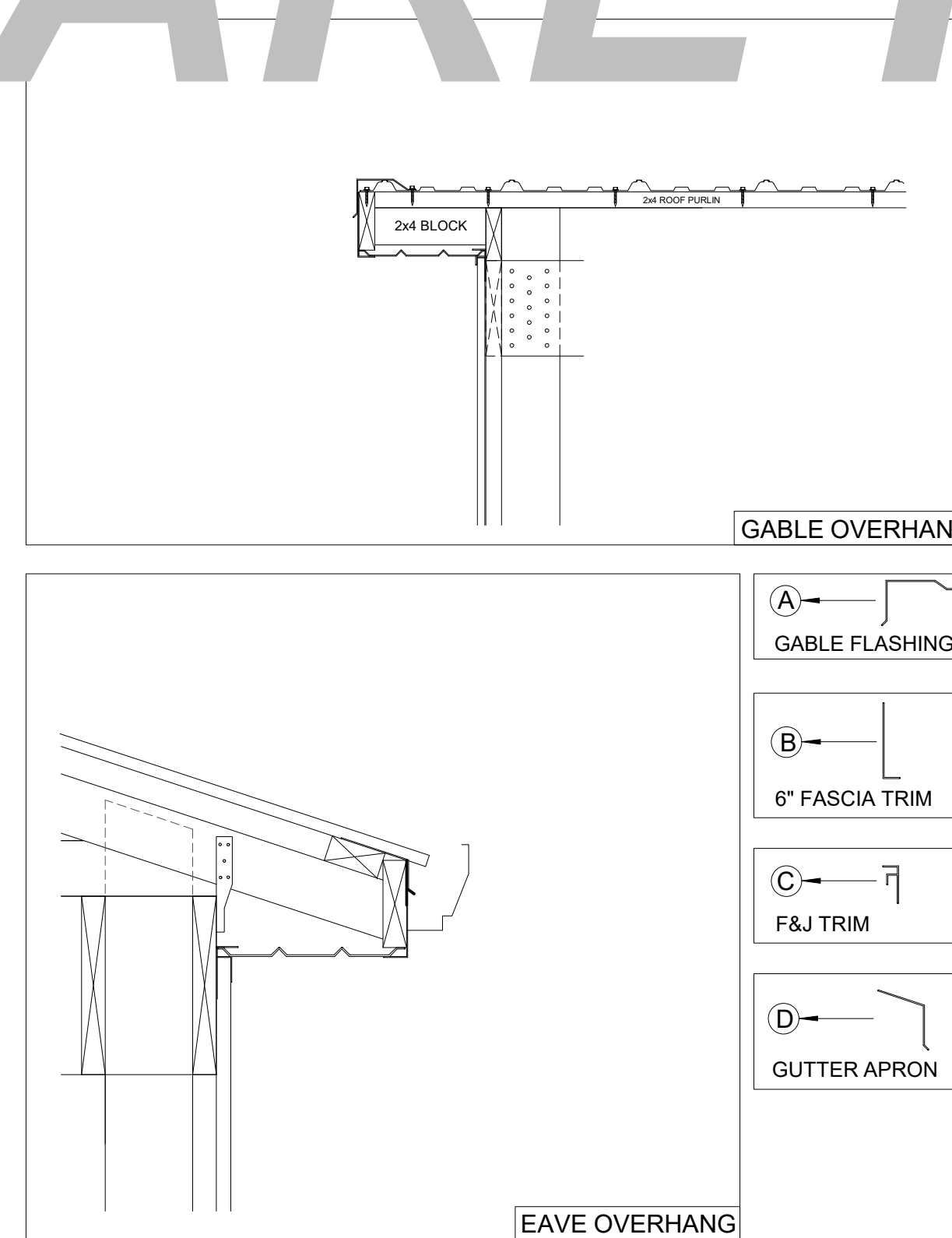


3 TYP. FRMG. & STITCH FASTENER PATTERNS
A.2 USE ROLL TAPE & STITCH SCREWS ON 3:12 PITCH OR LESS

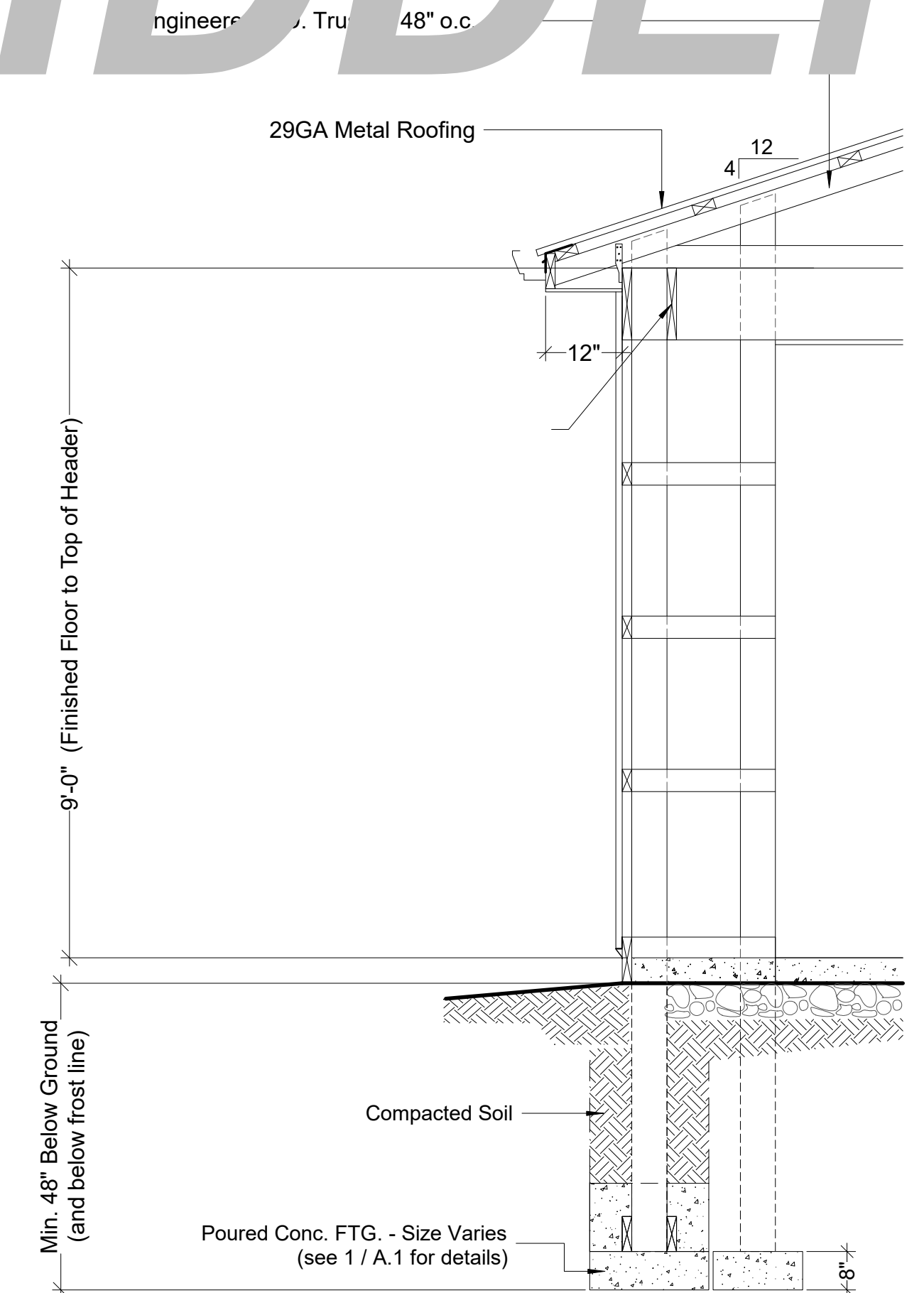
ALL SPECS ARE HIDDEN



4 BUILDING SECTION
A.2 SCALE: 5/16" = 1'-0"



5 OVERHANG DETAILS
A.2 SCALE: 1" = 1'-0"



6 WALL SECTION
A.2 SCALE: 9/16" = 1'-0"

FILE INFO.

BUILDERS INFORMATION

NOTES ON COPYRIGHT
THIS DRAWING IS COPYRIGHTED AND MAY ONLY BE REPRODUCED BY THE ORIGINAL AUTHOR. YOU MAY NOT REUSE, RESELL, OR USE THIS DRAWING FOR ANY OTHER PROJECT WITHOUT THE WRITTEN PERMISSION OF THE ORIGINAL AUTHOR.

DESIGNED BY: YOUNG BURNS SUPPLY, LLC
ALL RIGHTS RESERVED

24' x 32' x 9' POLE BUILDING FOR

SEAL

PROJECT NO.

DRAWN BY

FILE INFO.

REVISIONS

DATE

DRAWING TITLE

WALL SECTION
Y-BRACE DETAIL
METAL DETAIL
OVERHANG DETAIL
BUILDING SECTIONS

SHEET NO.

A.2

ATTENTION:

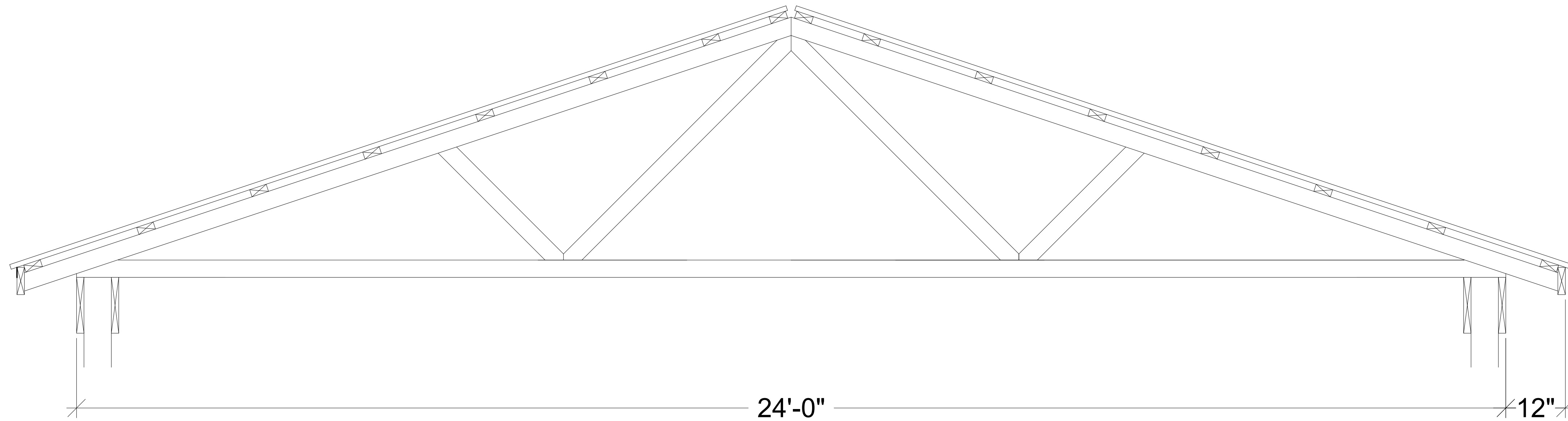
METAL ROOFING SIZE MUST BE CONFIRMED BY CONTRACTOR / BUILDER BEFORE CONSTRUCTION. SIZE IS GIVEN AS A COURTESY AND 100% ACCURACY CAN NOT BE GUARANTEED.

EXACT DIMENSIONS OF METAL WILL DEPEND ON MANY FACTORS, SUCH AS EXACT SIZE OF TRUSS BUILT BY TRUSS MANUFACTURER, SIZE OF OVERHANGS AND IF RIDGE IS VENTED.

KEYSTONE BARN SUPPLY LLC WILL NOT BE RESPONSIBLE FOR INCORRECT DIMENSIONS SHOWN ON THIS PRINT. ALL DIMENSIONS MUST BE CONFIRMED WITH BUILDER.

THIS IS AN ARCHITECTURAL PLAN, NOT CONSTRUCTION PLAN. BUILDER SHALL BE FULLY RESPONSIBLE TO REVIEW PLANS AND TO PROPERLY CONSTRUCT THE BUILDING. PLEASE DO NOT RELY ON THIS PLAN FOR 100% ACCURACY SINCE THIS PLAN IS NOT INTENDED TO BE A CONSTRUCTION PLAN.

ORDER TRUSSES TO COMPLY WITH LOCAL CODES AND REQUEST TRUSS PRINT FROM TRUSS MANUFACTURER TO CONFIRM METAL DIMENSIONS AND TO SUBMIT TO YOUR MUNICIPALITY WHEN APPLYING FOR BUILDING PERMIT



ALL SPECS ARE HIDDEN

FILE INFO.

BUILDERS' INFORMATION

NOTES ON COPYRIGHT
THIS DRAWING IS COPYRIGHTED AND ONLY BE
USED FOR THE PROJECT AND ONLY FOR THE
PROJECT. YOU MAY NOT REUSE, RESELL, OR USE THIS DRAWING
FOR ANY OTHER PROJECT OR FOR ANY OTHER
PURPOSE WITHOUT THE WRITTEN PERMISSION OF
KEYSTONE BARN SUPPLY, LLC.
ALL RIGHTS RESERVED.

24' x 32' x 9' POLE BUILDING
FOR

SEAL

PROJECT NO.

DRAWN BY

FILE INFO.

REVISIONS

DATE

DRAWING TITLE

TRUSS / METAL
DIMENSIONS

SHEET NO.

A.3